

## RS PPS seal, with core, acid proof stainless steel fittings

RS PPS-tiivisteet ytimellä, helat haponkestävää ruostumatonta terästä »

Комплект муфт RS PPS с сердечником, накладки из кислотоустойчивой нержавеющей стали »

RS PPS-tätningar, med kärna, syrafasta rostfria beslag »

Passaggio circolare RS PPS, componenti in acciaio inox resistente agli acidi, con nucleo



RS PPS 31 AISI 316



RS PPS 43 AISI 316



RS PPS 50 AISI 316



RS PPS 68 AISI 316



RS PPS 75 AISI 316

<b>RATINGS</b>	<b>Fire:</b> A-Class	<b>Water pressure:</b> 4 bar	<b>Gas pressure:</b> 2.5 bar
----------------	----------------------	------------------------------	------------------------------

	Tiiviste	Putkihalkaisijoille (mm)   (in)		Aukon halkaisija Ø (mm)   Ø (in)		Paino (kg)   (lb)		Tuotenumero
		Диаметр кабеля/трубы (мм)   (дюйм)		Размеры отверстия Ø(мм)   Ø (дюйм)		Вес (кг)   (фунт)		
	Tätning	För rör (mm)   (tum)		För håldiameter Ø (mm)   Ø (tum)		Vikt (kg)   (lb)		Artikelnummer
	Passaggio circolare	Per tubo diametro (mm)   (in)		Per foro diametro Ø (mm)   Ø (in)		Peso (kg)   (lb)		
	Seal	For pipe range (mm)   (in)		For hole diameter Ø (mm)   Ø (in)		Weight (kg)   (lb)		Art. No.
<b>FI</b>								
<b>RU</b>	Муфта							Art. №
<b>SE</b>								
<b>IT</b>								Art. Nr
<b>GB</b>								
	<b>RS PPS 31 AISI 316</b>	0+ 4-17	0+ 0.157-0.669	31.5-32.0	1.240-1.260	0.2	0.353	<b>PPS0000031021</b>
	<b>RS PPS 43 AISI 316</b>	0+ 4-23	0+ 0.157-0.906	43.5-44.0	1.713-1.732	0.4	0.816	<b>PPS0000043021</b>
	<b>RS PPS 50 AISI 316</b>	0+ 8-30	0+ 0.315-1.181	50.5-51.0	1.988-2.008	0.5	1.102	<b>PPS0000050021</b>
	<b>RS PPS 68 AISI 316</b>	0+ 26-48	0+ 1.024-1.890	69.0-70.0	2.717-2.756	0.8	1.676	<b>PPS0000068021</b>
	<b>RS PPS 75 AISI 316</b>	0+ 26-48	0+ 1.024-1.890	76.0-77.0	2.992-3.031	0.9	1.962	<b>PPS0000075021</b>

## RS PPS seal, without core, acid proof stainless steel fittings

RS PPS-tiivisteet ilman ydintä, helat haponkestävää ruostumatonta terästä »

Комплект муфт RS PPS без сердечника, накладки из кислотоустойчивой нержавеющей стали »

RS PPS-tätningar, utan kärna, syrafasta rostfria beslag »

Passaggio circolare RS PPS, componenti in acciaio inox resistente agli acidi, senza nucleo



RS PPS 100 AISI 316 woc



RS PPS 125 AISI 316 woc



RS PPS 150 AISI 316 woc



RS PPS 175 AISI 316 woc



RS PPS 200 AISI 316 woc

For information about other sizes that are not presented, please contact your local Roxtec supplier or e-mail: [info@roxtec.com](mailto:info@roxtec.com)

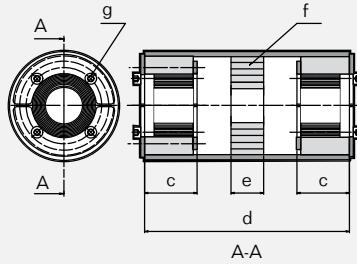
<b>RATINGS</b>	<b>Fire:</b> A-Class	<b>Water pressure:</b> 4 bar	<b>Gas pressure:</b> 2.5 bar
----------------	----------------------	------------------------------	------------------------------

	Putkihalkaisijoille (mm)   (in)		Aukon halkaisija Ø (mm)   Ø (in)		Paino (kg)   (lb)		Tuotenumero
	Диаметр кабеля/трубы (мм)   (дюйм)		Размеры отверстия Ø (мм)   Ø (дюйм)		Вес (кг)   (фунт)		
<b>FI</b>	Tiiviste						
<b>RU</b>	Муфта						Арт. №
<b>SE</b>	Tätning		För hål diameter Ø (mm)   Ø (in)		Vikt (kg)   (lb)		Artikelnummer
<b>IT</b>	Passaggio circolare		Per tubo diametro (mm)   (in)		Peso (kg)   (lb)		Art. Nr
<b>GB</b>	Seal		For pipe range (mm)   (in)		Weight (kg)   (lb)		Art. No.
	<b>RS PPS 100 AISI 316 woc</b>	48-70   1.890-2.756	101-102   3.976-4.016	1.3   2.866			<b>PPS0000100021</b>
	<b>RS PPS 125 AISI 316 woc</b>	66-98   2.598-3.858	126-127   4.964-5.000	1.9   4.189			<b>PPS0000125021</b>
	<b>RS PPS 150 AISI 316 woc</b>	93-119   3.661-4.331	151-152   5.945-5.984	2.6   5.732			<b>PPS0000150021</b>
	<b>RS PPS 175 AISI 316 woc</b>	119-147   4.685-5.787	176-177   6.929-6.968	3.8   8.378			<b>PPS0000175021</b>
	<b>RS PPS 200 AISI 316 woc</b>	138-170   5.433-6.693	201-202   7.913-7.953	7.2   15.873			<b>PPS0000200021</b>

# RS PPS seal, technical information

RS PPS-tiivisteiden tekniset tiedot ► Муфта RS PPS, техническая информация ► RS PPS-tätningar, teknisk information ► Passaggio circolare RS PPS, informazioni tecniche

RS PPS 31 / RS PPS 43 / RS PPS 50 / RS PPS 68 / RS PPS 75

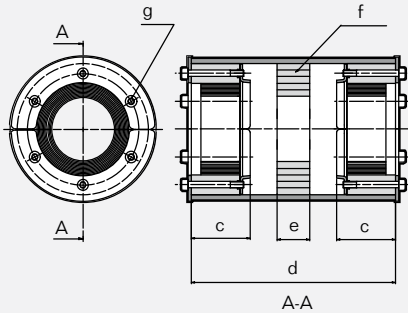


not<sup>(1)</sup>  
Intumescent material  
Paisuva materiaalia  
Вспучивающийся огнестойкий материал  
Svällande material  
Materiale intumescente

Pos	RS PPS 31		RS PPS 43		RS PPS 50		RS PPS 68 woc		RS PPS 75 woc	
	(mm)	(in)	(mm)	(in)	(mm)	(in)	(mm)	(in)	(mm)	(in)
c	40	1.575	40	1.575	40	1.575	40	1.575	40	1.575
d	156	6.142	156	6.142	156	6.142	156	6.142	156	6.142
e	25	0.984	25	0.984	25	0.984	25	0.984	25	0.984
f	not <sup>(1)</sup>	not <sup>(1)</sup>	not <sup>(1)</sup>	not <sup>(1)</sup>	not <sup>(1)</sup>	not <sup>(1)</sup>	not <sup>(1)</sup>	not <sup>(1)</sup>	not <sup>(1)</sup>	not <sup>(1)</sup>
g	*	*	**	**	**	**	**	**	**	**

\* SW2.5 mm (4x) / SW0.098" (4x) \*\* SW4 mm (4x) / SW0.157" (4x)

RS PPS 100 woc / RS PPS 125 woc / RS PPS 150 woc



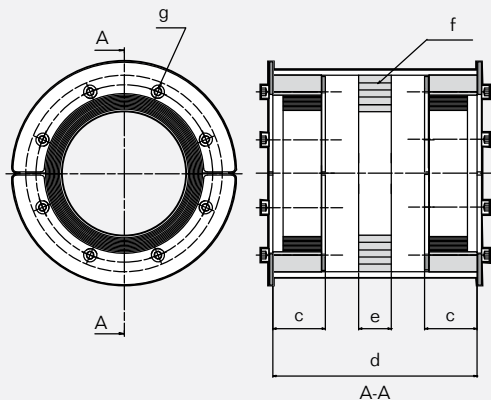
Pos	RS PPS 100 woc		RS PPS 125 woc		RS PPS 150 woc	
	(mm)	(in)	(mm)	(in)	(mm)	(in)
c	45	1.772	45	1.772	45	1.772
d	156	6.142	156	6.142	156	6.142
e	25	0.984	25	0.984	25	0.984
f	not <sup>(1)</sup>	not <sup>(1)</sup>	not <sup>(1)</sup>	not <sup>(1)</sup>	not <sup>(1)</sup>	not <sup>(1)</sup>
g	***	***	****	****	*****	*****

\*\*\* SW4 mm (6x) / SW0.157" (6x)

\*\*\*\* SW5 mm (6x) / SW0.197" (6x)

\*\*\*\*\* SW5 mm (8x) / SW0.197" (8x)

RS PPS 175 woc / RS PPS 200 woc



Pos	RS PPS 175 woc		RS PPS 200 woc	
	(mm)	(in)	(mm)	(in)
c	35	1.378	35	1.378
d	156	6.142	156	6.142
e	25	0.984	25	0.984
f	not <sup>(1)</sup>	not <sup>(1)</sup>	not <sup>(1)</sup>	not <sup>(1)</sup>
g	*****	*****	*****	*****

\*\*\*\*\* SW5 mm (8x) / SW0.197" (8x)

Note: All dimensions are nominal values

Huomaa: Kaikki mitat ovat nimellisarvoja

Внимание: Все размеры номинальные

Obs: Angivna mått är nominella

Nota: tutte le dimensioni sono valori nominali